



# MeoDot DF Xm

Compact reflex sight designed for weapon systems as assault rifles (AR) or submachine guns (SMG). With outstanding optical performance and tough housing to accompany you for any mission. Rugged, easy to operate with 2 MOA red dot predetermines it to be fitted to any semi or full auto rifles as primary optical sight. With the magnifier module or attached night vision device allows accurate shooting at short and medium distances day and night.

## FEATURES

- **WATERPROOF**
- **SHOCKPROOF**
- **FOGPROOF**
- **NIGHT VISION COMPATIBILITY**
- **NITROGEN PURGED**

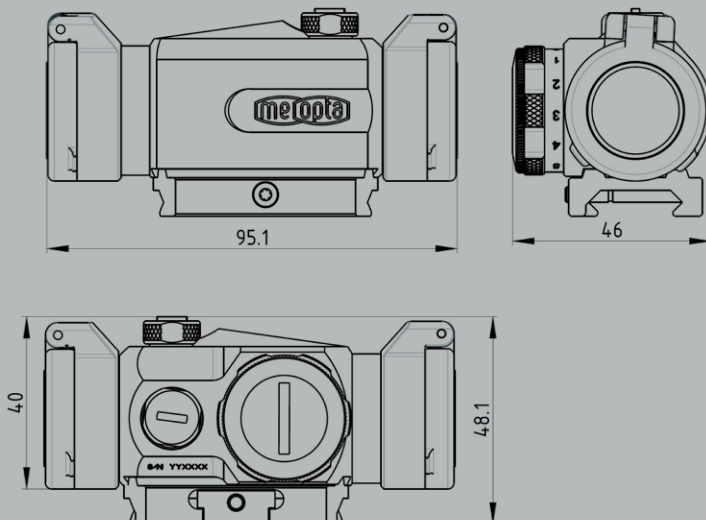
Magnification	1x	
Objective Lens Diameter (mm)	22	
Dot Brightness* (cd/m <sup>2</sup> )	min. 600 000	
Vertical range (MOA)	min. 120	
Rectification - Vertical step (MOA)	0.5	
Horizontal range (MOA)	min. 120	
Rectification - Horizontal step (MOA)	0.5	
Measured Integral Transmission Daylight (%)	88	
Measured Integral Transmission Twilight (%)	88	
Recoil Resistance (g)	500	
Dot Size/color (MOA)	2/Red	
Dot Illumination Levels (Day/Night)	6/5	
Manual Intensity Mode (Y/N)	Y	
Power Supply (Type/V)	3 (1xCR 2032)	
Battery Lifetime** (hrs)	80 000	
Motion sensor (Y/N/g)	N	
Automatic Shut Down (Y/N/hrs)	Y/8	
Operational Temperature Range (°C)	-40	+60
Storage Temperature Range (°C)	-45	+71
Moisture Resistance [+23/+40°C] (%)	80/98	
Water Resistance (m/hrs)	2/2	
Dimensions*** L x H x W (mm)	96x66x46	
Weight**** (g)	185	

\* max. (6) intensity level day, ambient temperature +20°C

\*\* 1pc - 3 V, size CR 2032, 800 mAh and ambient temperature +20°C, 2nd day level of intensity

\*\*\* With mount and covers

\*\*\*\* With high mount (35,5mm), covers, honeycomb filter and batteries



**MEOPTA SYSTEMS s.r.o.**  
Kabelíkova 1, 750 02 Přerov  
Česká republika

Telefon: +420 581 241 111  
E-mail: meopta@meopta.com  
www.meopta.com



**MEOPTA SYSTEMS s.r.o.**  
Kabelíkova 1, 750 02 Přerov  
Česká republika

Telefon: +420 581 241 111  
E-mail: [meopta@meopta.com](mailto:meopta@meopta.com)  
[www.meopta.com](http://www.meopta.com)