



MeoDot DF Tm3

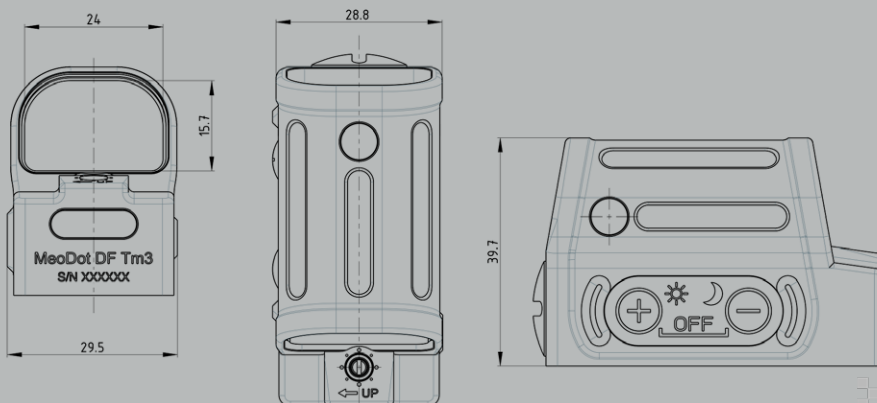
Compact reflex sight designed for shorter barrel weapon systems as assault rifles (AR) or submachine guns (SMG). It's very thin frame allows the operator to have a good overview with both eyes open of a target zone blocking very limited part of field of view. Also can be used as back up optical sight (BUOS) for rifles fitted with main riflescope with high magnification like sniper rifles (SR) or designated marksman rifles (DMR) on the top of the front mounts ring or angled picatinny rail. Battery case in the front of the device ensure quick battery replacement.

Magnification	1x	
Objective Lens Diameter (mm)	15.8x23.6	
Dot Brightness* (cd/m ²)	min. 100 000	
Vertical range (MOA)	min. 120	
Rectification - Vertical step (MOA)	20/360°	
Horizontal range (MOA)	min. 120	
Rectification - Horizontal step (MOA)	20/360°	
Recoil Resistance (g)	500	
Dot Size/color (MOA)	3/Red	
Dot Illumination Levels (Day/Night)	8/8	
Manual Intensity Mode (Y/N)	Y	
Power Supply (Type/V)	3 (1xCR 2)	
Battery Lifetime** (hrs)	min. 50 000	
Motion sensor (Y/N/g)	Y/0.1	
Automatic Shut Down (Y/N/hrs)	Y/15	
Operational Temperature Range (°C)	-40	+60
Storage Temperature Range (°C)	-45	+71
Moisture Resistance [+23/+40°C] (%)	80/98	
Water Resistance (m/hrs)	2/2	
Dimensions*** L x H x W (mm)	62x56x33	
Weight**** (g)	145	

FEATURES

- **WATERPROOF**
- **SHOCKPROOF**
- **MEOBRIGHT**
- **MEODROP**
- **NITROGEN PURGED**
- **NIGHT VISION COMPATIBILITY**

- * max. intensity level day, ambient temperature +20°C
- ** 1pc - 3 V, size CR 2, 800 mAh and ambient temperature +20°C, 2nd day level of intensity
- *** With mount
- **** With mount and battery



MEOPTA SYSTEMS s.r.o.
Kabelíkova 1, 750 02 Přeřov
Česká republika

Telefon: +420 581 241 111
E-mail: meopta@meopta.com
www.meopta.com



MEOPTA SYSTEMS s.r.o.
Kabelíkova 1, 750 02 Přerov
Česká republika

Telefon: +420 581 241 111
E-mail: meopta@meopta.com
www.meopta.com