



MeoNox DF 1 Tarsius

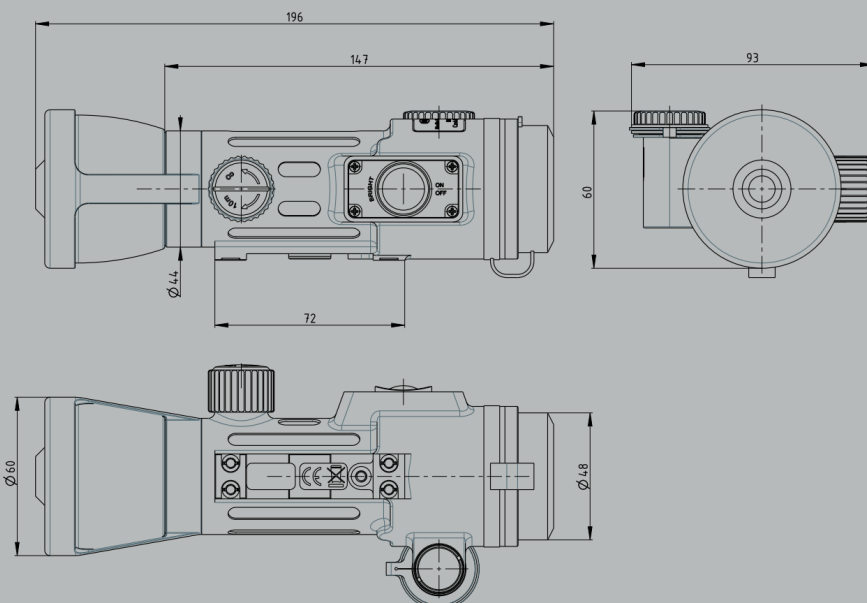
Night vision clip-on attachment MeoNox DF 1 Tarsius is intended to be used in combination with day time riflescopes for weapons to adopt weapon system to a night conditions or it can be used separately as a night vision monocular for night observation with magnification 1x. The clip-on attachment is placed in front of a riflescope by special adapter by using a quick release (MIL-STD-1913) mount. The device is available with image intensifier tubes IIT of all generations.

Magnification	1x	
Objective Lens Diameter (mm)	50	
Image Intensifier Tube	XD-4, XR5, 4G, 4G+	
Resolution (SOA)	≤80	
Field of View (°)	12	
Focus Range (m)	10	∞
Brightness adjustment (S/C)	continuous	
Recoil Resistance (g)	500	
Human DRI* 5x zoom (m)	1900/800/350	
Human DRI* 1x zoom (m)	800/370/350	
Power Supply (V)	3 (1xCR123)	
Battery Lifetime** (hrs)	min. 40	
Automatic Shut Down (Y/N/hrs)	Y/3	
Operational Temperature Range (°C)	-40	+60
Storage Temperature Range (°C)	-45	+71
Moisture Resistance [+23/+40°C] (%)	80/98	
Water Resistance (m/hrs)	2/2	
Dimensions*** L x H x W (mm)	196x60x93	
Weight**** (g)	780	

FEATURES

- **MEOBRIGHT**
- **MEODROP**
- **SHOCK RESISTANT**
- **WATERPROOF**
- **NITROGEN PURGED**
- **EXTERNAL BRIGHT CONTROL**

- * Coefficient of atmospheric clarity min. 0.8 at 1 km in natural night illumination 5×10^{-3} lx, when observed target contrast against background is 0.6 - for XD-4 IIT
 ** 1pc - Lithium CR 123 3V and ambient temperature +20°C
 *** Without mounts and with covers
 **** With covers, mount and battery
 (SOA) Second Of Angle
 (DRI) Detection, Recognition, Identification



MEOPTA SYSTEMS s.r.o.
 Kabelíkova 1, 750 02 Přerov
 Česká republika

Telefon: +420 581 241 111
 E-mail: meopta@meopta.com
 www.meopta.com





MEOPTA SYSTEMS s.r.o.
Kabelíkova 1, 750 02 Přerov
Česká republika

Telefon: +420 581 241 111
E-mail: meopta@meopta.com
www.meopta.com