



MeoNox DF 3 Serval

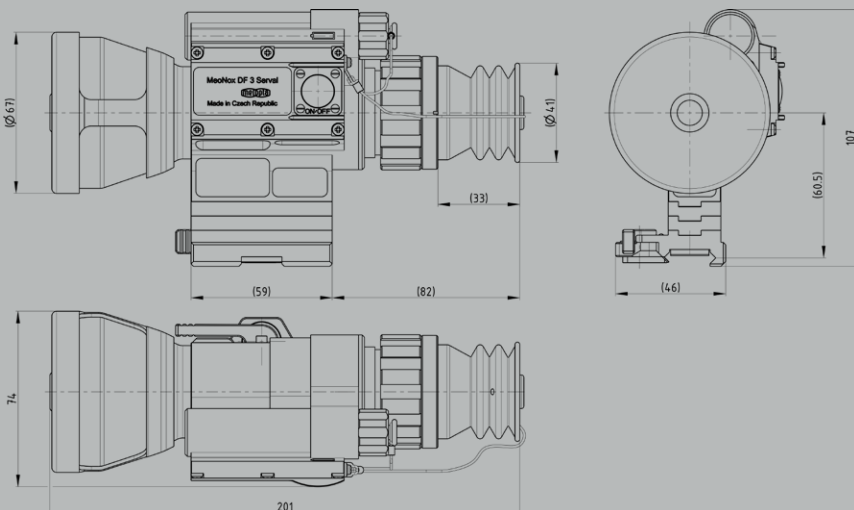
A combination of Meopta's red dot sight ZD-Dot or MeoDot DF 1 and the NV-Mag 3A brings to life a night vision riflescope for precise and quick target acquisition at a night time. A variety of IITs of all generations along with durability, a compact shape, and an integrated MIL-STD-1913 mounting system with spacers for elevation to a shooter's most comfortable position, helps you to choose the best option for your mission. Maximal objective lens diameter together with a lightweight design makes the device suitable for any Auto/Semi Auto long barrel firearm or PDW.

Magnification	3x	
Objective Lens Diameter (mm)	53	
Eye Relief (mm)	35	
Image Intensifier Tube	XD-4, XR5, 4G	
Resolution (SOA)	≤60	
Field of View (°)	min. 14	4
Dioptric Correction (D)	-4	+4
Focus Range (m)	80	∞
Brightness adjustment (S/C)	continuous	
Recoil Resistance (g)	500	
Human DRI* (m)	1150/400/200	
Power Supply (V)	3.6 (1xAA)	
Battery Lifetime** (hrs)	min. 72	
Automatic Shut Down (Y/N/hrs)	Y/3	
Operational Temperature Range (°C)	-40	+60
Storage Temperature Range (°C)	-45	+71
Moisture Resistance [+23/+40°C] (%)	80/98	
Water Resistance (m/hrs)	2/2	
Dimensions*** L x H x W (mm)	201x107x74	
Weight**** (g)	800	

FEATURES

- **MEOBRIGHT**
- **MEODROP**
- **SHOCK RESISTANT**
- **WATERPROOF**
- **NITROGEN PURGED**

- * Coefficient of atmospheric clarity min. 0.8 at 1 km in natural night illumination 5×10^{-3} lx, when observed target contrast against background is 0.6
- ** 1pc - Lithium LS 14500 3.6V, size AA, 2550 mAh and ambient temperature +20°C
- *** With mounts and covers, eyepiece extended to max. position
- **** With mounts, covers and battery
- (SOA) Second Of Angle
- (DRI) Detection, Recognition, Identification



MEOPTA SYSTEMS s.r.o.
Kabelíkova 1, 750 02 Pířerov
Česká republika

Telefon: +420 581 241 111
E-mail: meopta@meopta.com
www.meopta.com



MEOPTA SYSTEMS s.r.o.
Kabelíkova 1, 750 02 Přerov
Česká republika

Telefon: +420 581 241 111
E-mail: meopta@meopta.com
www.meopta.com